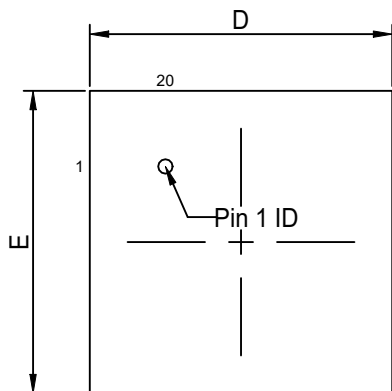
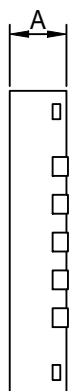


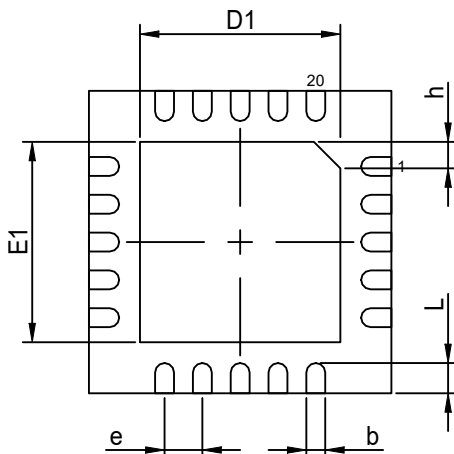
Top view



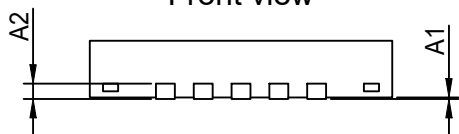
Right view




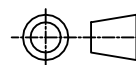
Bottom view



Front view



	SYMBOL	MIN	NOM	MAX
TOTAL THICKNESS	A	0.70	0.75	0.80
STAND OFF	A1	0.00	0.02	0.05
L/F THICKNESS	A2	0.203REF		
LEAD WIDTH	b	0.20	0.25	0.30
BODY SIZE X	D	3.90	4.00	4.10
EP SIZE X	D1	2.55	2.65	2.75
BODY SIZE Y	E	3.90	4.00	4.10
EP SIZE Y	E1	2.55	2.65	2.75
LEAD PITCH	e	0.50BSC		
LEAD LENGTH	L	0.35	0.40	0.45
CHAMFER	h	0.30	0.35	0.40
LF PAD SIZE	X	2.90	Y	2.90

C	修正Epad规格错误, D1/E1而由2.30修正为2.65.			Sheng GH	2021/07/27			
B	-			Shi Yan	2016/01/29			
A	首次发行			Zhou Wei	2014/07/23			
REV	DESCRIPTION OF CHANGE			DRAWER	ISSUE DATE			
TITLE	0.50QFN4x4-20-0.75POD							
DWG No.	C-OL-079	MATERIAL						
X	±0.5	REV	C	SHEET	1/1	DWN	Sheng GH	2021/07/27
X.X	±0.1			SCALE	1:1	CKD		2021-9-23
X.XX	±0.05			UNIT	mm	APPD		
X.XXX	±0.050							